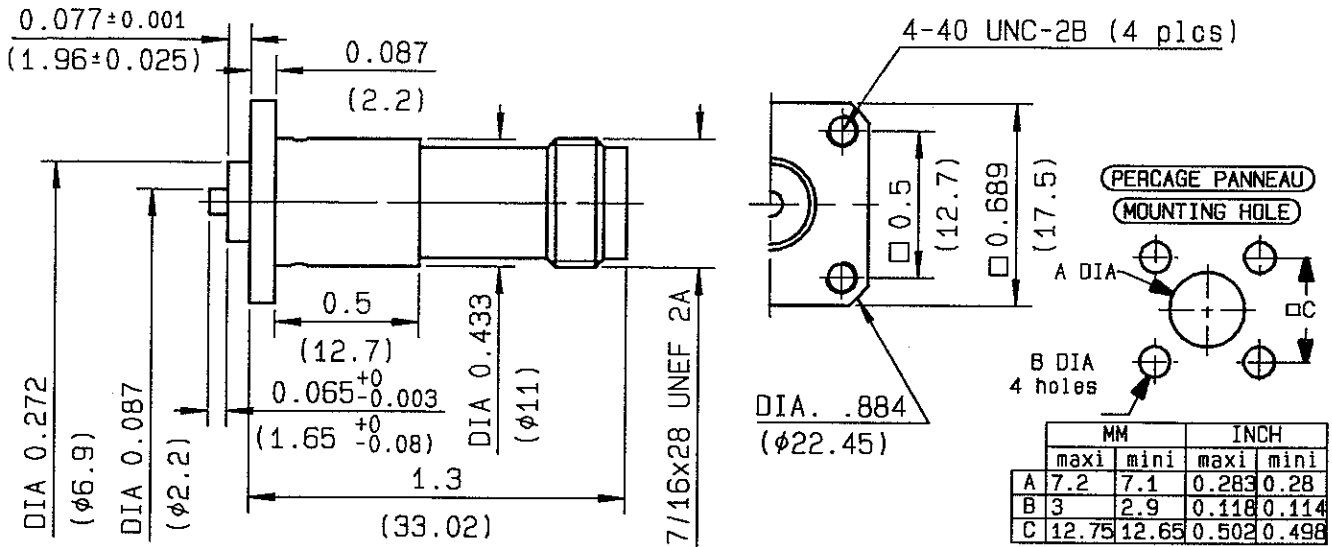


FLANGE RECEPTACLE

R143.404.520

SERIES

TNC



NOMINAL IMPEDANCE	50 Ω
FREQUENCY RANGE	0-15 GHz
TEMPERATURE RATING	-65/+165 °C
V.S.W.R	TBD + x F(GHz)Maxi
RF INSERTION LOSS	TBD √F(GHz) dB Maxi
VOLTAGE RATING	500 Veff Maxi
DIELECTRIC WITHSTANDING VOLTAGE	1500 Veff Mini
INSULATION RESISTANCE	5000 MΩMini
HERMETIC SEAL	NA Atm.cm ³ /s
LEAKAGE (pressurized only)	NA
MECHANICAL DURABILITY	500 Cycles
WEIGHT	gr
SPECIFICATION	

CABLES :

OTHERS CHARACTERISTICS

CABLE RETENTION	NA	N Mini
CENTER CONTACT RETENTION		
Axial force - mating end	18.1	N Mini
Axial force - opposite end	18.1	N Mini
Torque	2.8	cm.N Mini
RECOMMENDED TORQUES		
Mating	NA	cm.N
Panel nut	NA	cm.N
Clamp nut	NA	cm.N

CONNECTOR PARTS	MATERIALS	FINISH	(all values are given in micrometers)
BODY	BRASS	NICKEL	
OUTER CONTACT			
CENTER CONTACT	BERYLLIUM COPPER	GOLD	
INSULATOR	PTFE	-	
GASKET		-	
OTHERS PIECES			

ISSUE	CREATION DATE	FILE PART-NUMBER
9712B01	09-JUL-96	96-0400-452



RADIALL®

Connect to the future

The information given here is subject to change without notice. Design changes may be in order to improve the product.